

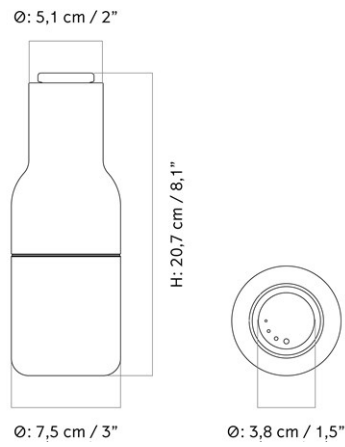
BOTTLE GRINDER
LARGE - CERAMIC, SAND / WALNUT
Designed by *Norm Architects*



With its powerful ceramic mill, sophisticated colourway and handy, scaled-down size with an ergonomic grip, the Bottle Grinder, small is an indispensable addition to every kitchen and dining space.

SKU	71190-000751	COUNTRY OF ORIGIN	CN
EAN	5709262049783	MATERIALS	Plastic, Ceramic, Walnut, Stainless Steel
DESIGNER	Norm Architects	TESTS & CERTIFICATIONS	Food Safe
PRODUCT TYPE	Salt / Pepper Grinder	CO2e	11.09 kg
COLLI	2 pcs.	WARRANTY	2 years (Download)
ENVIRONMENT	Indoor	CARE INSTRUCTIONS	Finish

BOTTLE GRINDER
LARGE - CERAMIC, SAND / WALNUT
Designed by *Norm Architects*



Technical Specifications

DIMENSIONS

Product Height: 20.5 cm
Product Diameter - Ø : 8, cm

WEIGHT

0.874, kg

PACKAGING TYPE

Gift Box

PACKAGING
MEASUREMENTS

H x W x D
21.8, cm x 16.3, cm x 8.3, cm

PRODUCTION PROCESS

The body is made from casted ceramic with a glazed finish. The mill is made of ceramic and the adjustment lid is made of walnut.